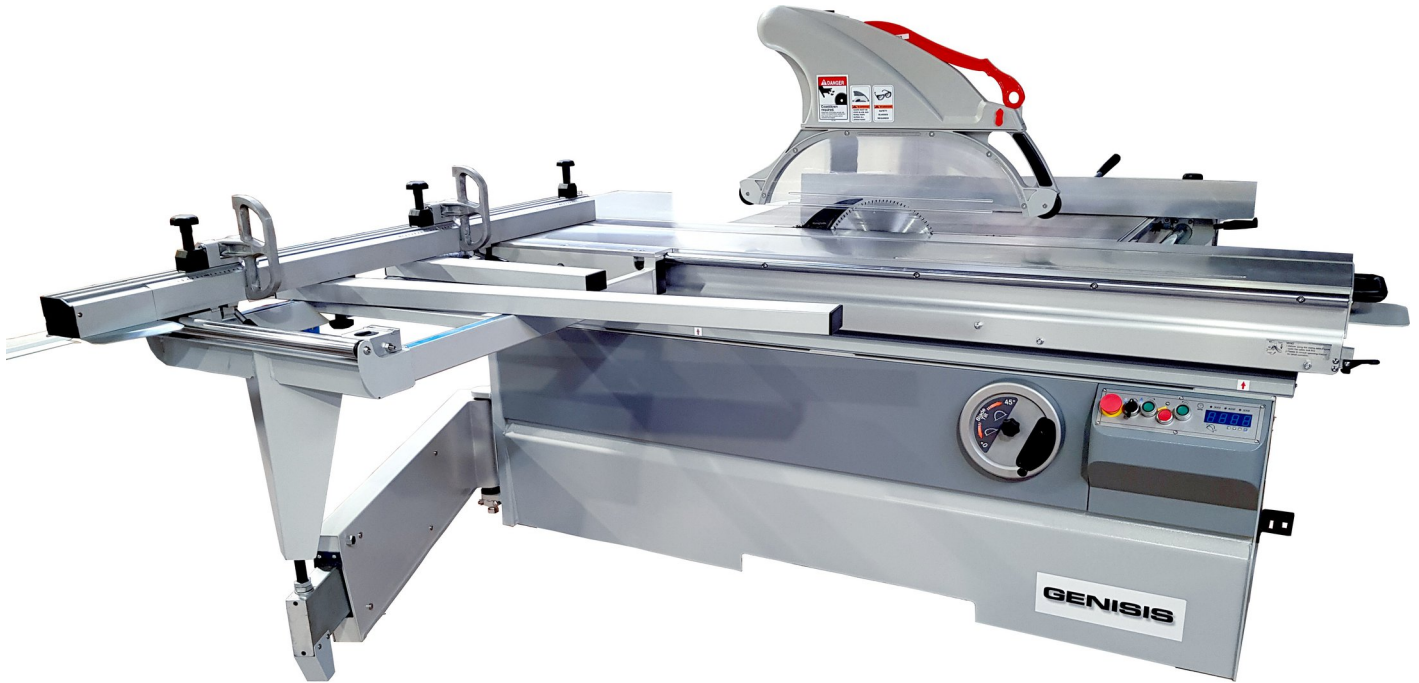


XC



VIDEOS



INFORMATION

- Compact heavy duty panelsaw
- Heavy-duty saw carriage securely seated in large cast-iron cradle for maximum support
- Heavy-duty cross cut fence with quick release
- Easy-glide sliding table (1900mm)
- Motorised adjustment to the height of the blade
- Handwheel adjustment to the tilting of the blades
- LED Display to the angle of the blade
- 3 blade speeds
- LED indicators for the blade speed
- Table lock in central and backward positions
- Heavy duty rip fence mounted on a solid chromed steel 45mm diameter bar (1,000mm)
- Fine adjustment to rip fence
- Manual adjustments for the scorer (external to the machine for ease of adjustment)

SPECIFICATION

Main saw blade diameter max.	Ø 400 mm
Max. cutting height with blade at 90°	125 mm
Max. cutting height with blade at 45°	88 mm
Rectified cast iron fixed table dimension	570x1000 mm
Main blade speed	3000 / 4000 / 5000 RPM
Sliding table length	1900 mm
Main saw bore	Ø 30 mm
Main motor power	7.5HP (5.5KW)
Scoring saw blade	Ø 120mm
Scoring motor power	1HP (0.75KW)
Scoring blade speed	8000 RPM
Cutting width	1,000 mm
Saw table extension	720 mm

Cross cut fence manual movement

With Mitre fence Yes

Manual adjustment for cutting width adjustment

Manual control for blade tilting adjustment

Motorized for main saw height adjustment

Manual control for scoring saw height adjustment

Manual control for scoring + / - direction adjustment

With Luxurious Overhead saw guard

With simple digital display for the tilting of saw blade

With LED display for the rpm show of saw blade

With tool frame

With Clamping shoe

Main channel dust collection Ø 100mm

Lux saw guard dust collection Ø 75 mm

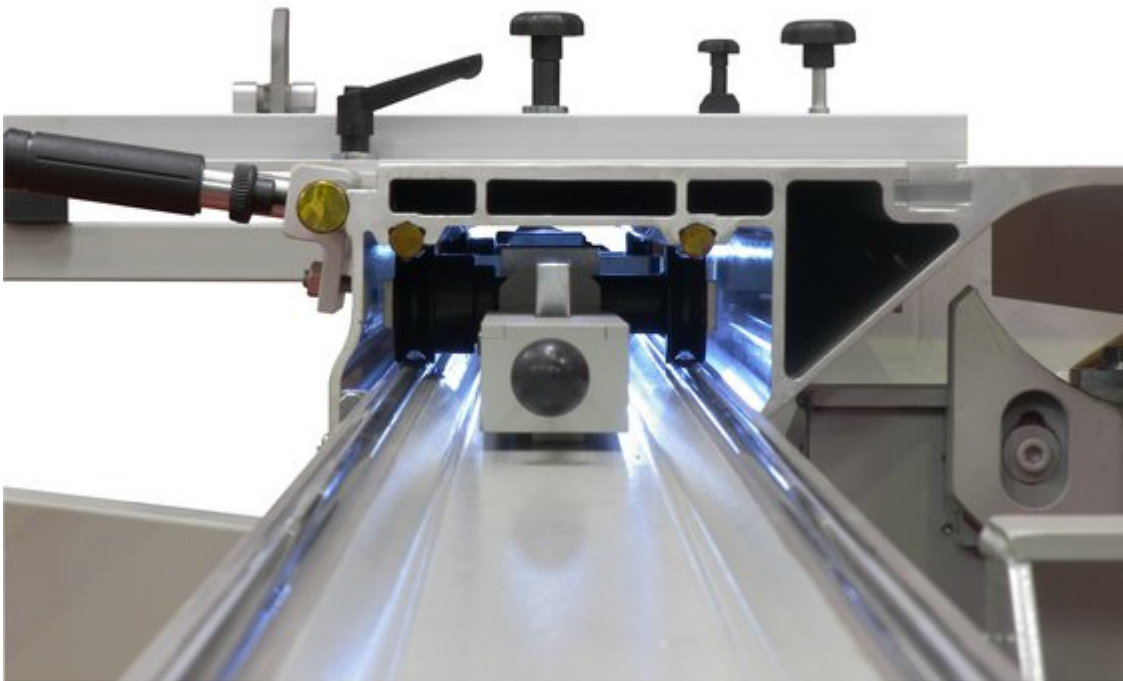
380V/50HZ/3PH

Packing size

2270 x 1300 x 1100 mm

N.W / G.W.

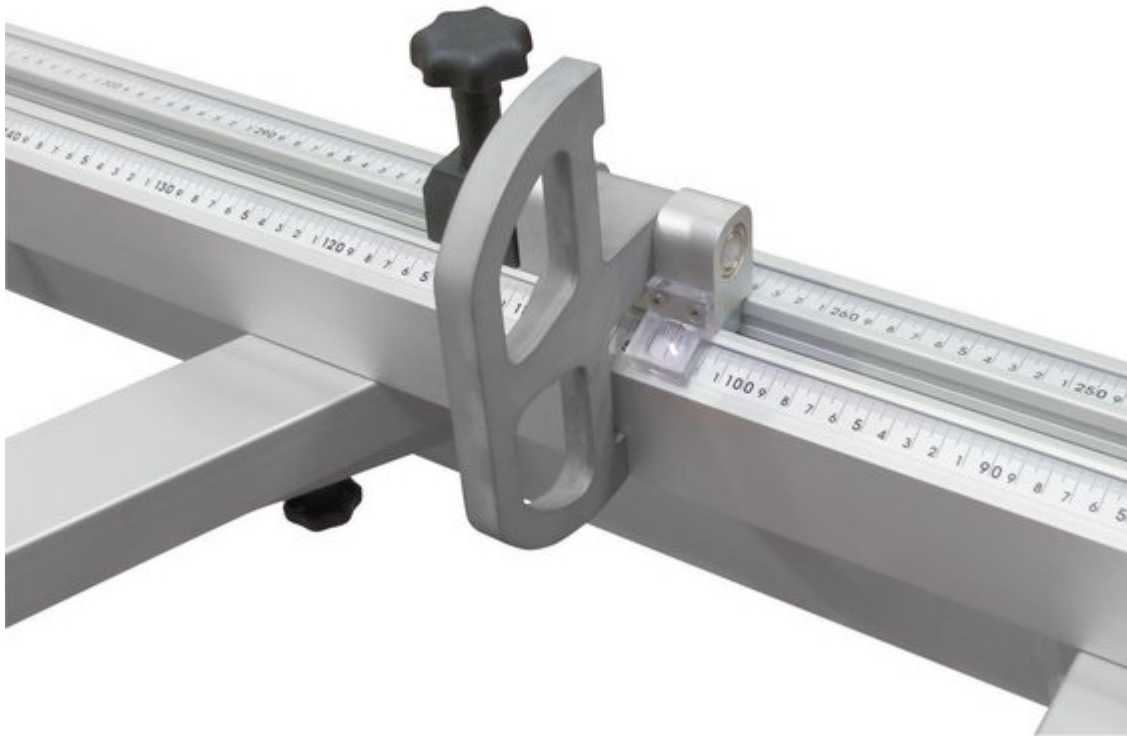
747 kg / 930 kg



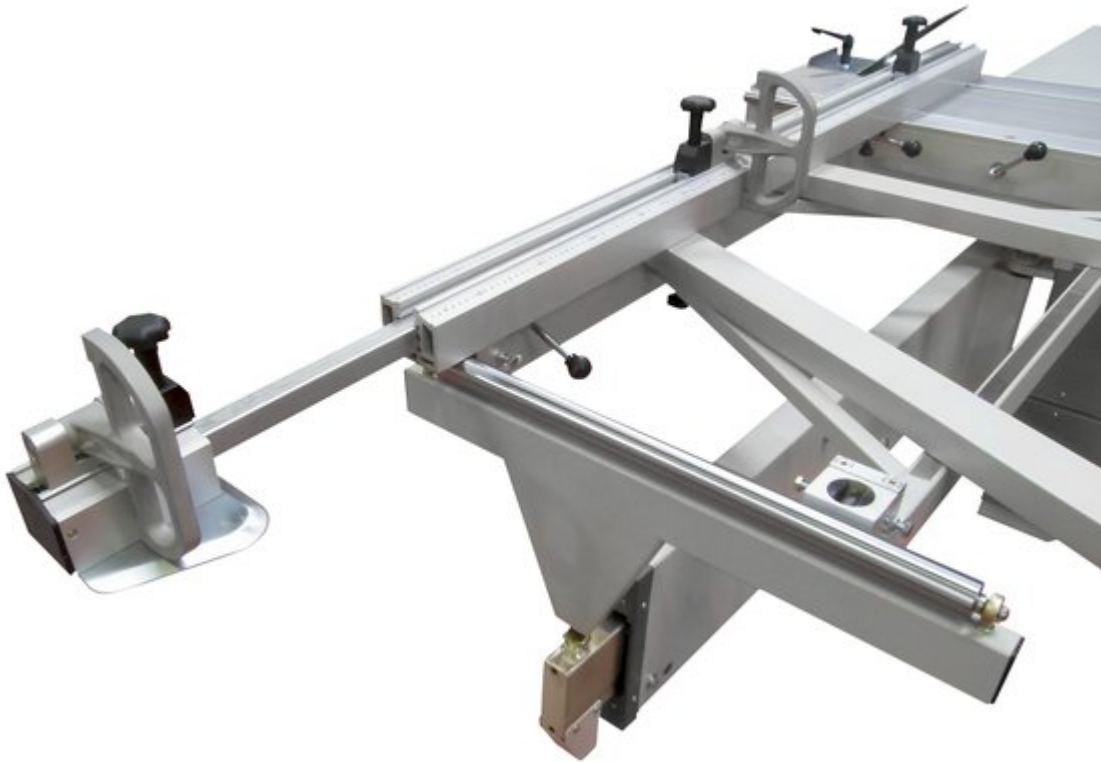
Heavy duty sliding table



Scorer adjustments



Heavy duty Flip stops



Heavy duty telescopic cross cut fence



Heavy duty rip fence mounted on a 45mm diameter solid chromed steel bar, complete with fine adjustment

Find out more about this machine and the rest of the range at the [Genisis X-Type Panel Saws](#) website

POA

PLEASE ENQUIRE FOR THE LATEST PRICING & AVAILABILITY INFORMATION FOR THIS ITEM

Download this
page as a PDF

See all items in...

- [Sliding table panel saws...](#)